

**Thermo Scientific AquaSensors
DataStick measurement system
for universal plug & play**

Thermo Scientific AquaSensors DataStick

Dissolved Ozone Measurement System



Markets/Applications

- Drinking water treatment
- Wastewater treatment
- Food and beverage sanitization
- Bottled water production
- Packaged water systems
- Pulp & paper bleaching
- Pharmaceutical
- Cooling water
- Semiconductor wash water

AquaSensors Ozone DataStick™

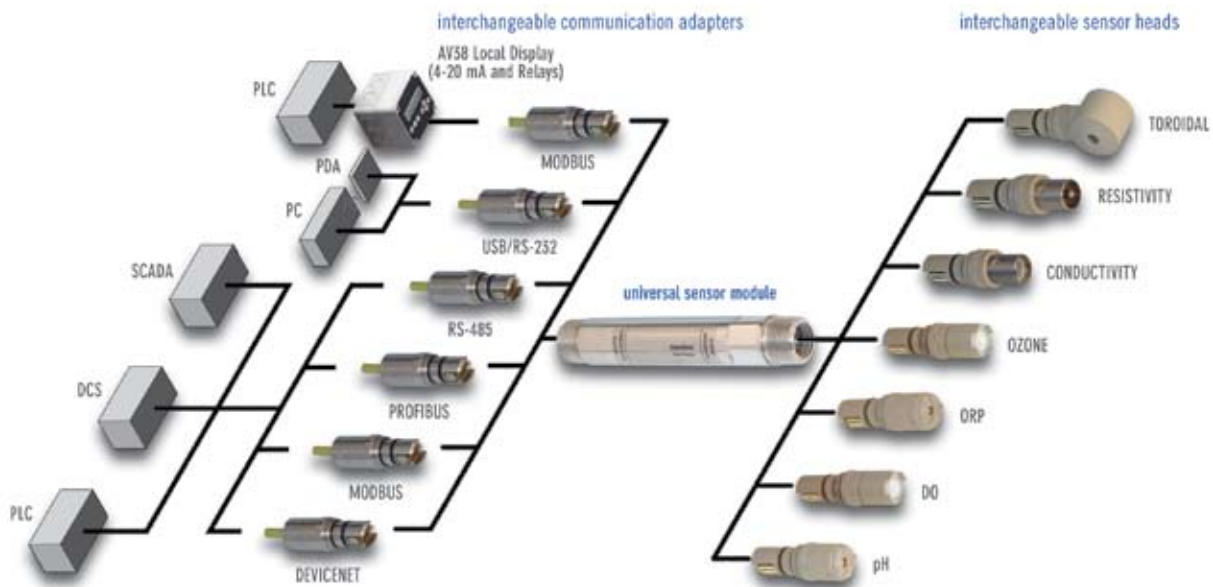
- Clark cell technology
- Pre-calibrated (no field calibration required)
- Plug & play sensor heads
- Rugged, foul resistant membrane
- Electrode protection options
- Simple membrane cap replacement
- Direct data reporting (24-bit)
- Plug & play industrial communications adapters

Connect this ozone sensor directly to a PLC (Programmable Logic Controller) for seamless integration with industrial control systems. Use any computer to display data, calibrate and customize the measurement without an intermediate analyzer electronics box. Sensor heads are pre-calibrated and can be replaced or exchanged with any other type of sensor without taking the system down. Save space, time and money.

Engineering Specifications

1. The ozone sensor shall use three-electrode polarographic Clark Cell technology consisting of a silver reference electrode, a silver anode and a gold cathode.
2. The sensor shall have hex-shaped wrench flats to facilitate mounting, and shall be constructed of a material with exceptional chemical resistance and mechanical strength. This material shall enable the sensor to be installed in metal fittings without leakage usually caused by heating and cooling cycles when dissimilar materials are threaded together.
3. The sensor shall have interchangeable, pre-calibrated plug-in sensor heads and communications adapters that can be installed without powering down the system.
4. The sensor shall have 1 inch NPT threads on both ends to mount into a standard 1 inch pipe tee, a 1.5 inch union mounting, or low flow chamber assembly.
5. The built-in electronics of the sensor shall be completely encapsulated and O-ring sealed for protection from moisture and humidity.
6. The sensor shall have a built-in pre-amplifier, universal signal conditioning electronics, universal engineering units conversion, and interactive communications with a host computer or display interface using one of several protocols including Modbus® RTU, DeviceNet, Profibus, USB, CANopen or Ethernet.
7. The sensor shall have an integral temperature sensor to measure temperature independently.
8. Replaceable membranes caps shall have a pre-installed 50 micron thick gas permeable membrane.
9. The sensor shall be Thermo Scientific AquaSensors Dissolved Ozone DataStick.

Thermo Scientific DataStick Analytical System



Key Components

DataStick

Provides universal conversion of sensor signals and interactive communications for measurement, calibration, configuration and diagnostics.



Ozone Sensor Head

Pre-calibrated for ozone and temperature. Can be plugged into any DataStick to yield accurate 24-bit data.



Communications Adapter

Plugs into the DataStick to provide power and direct interactive communications with control systems.

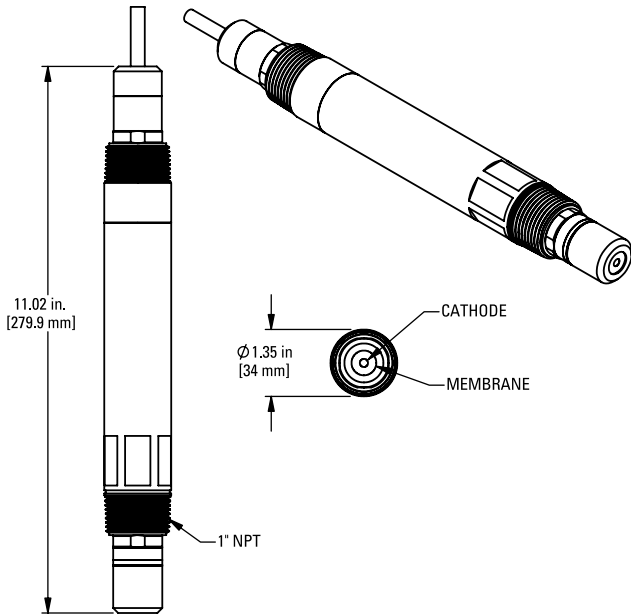


AV38 Local Display/Controller

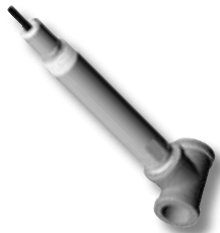
2 line display and 7 key navigation. Data reporting with up to 2 current outputs. 2 Form C relays. Digital communications.



Thermo Scientific AquaSensors Ozone DataStick Data Sheet



Provides universal conversion of sensor signals and interactive communications for measurement, calibration, configuration and diagnostics. Mounting adapters, junction boxes and recharge kits are available.



1 Inch Tee Mounting



1.5 Inch Union Mounting



Low Flow Chamber



Sanitary Mount

Specifications

Measurement System Performance[†]	Range: 0 to 10 ppm Resolution: 0.01 ppm Accuracy: 2% of reading Step Response Time: 90% in < 90 seconds
Operational Environment	Temperature Range: -5 °C to 50 °C Maximum Pressure: 65 psig @ 50 °C Maximum Flow Rate: 10 ft/second
Power Requirements[‡]	Voltage Range: 10 to 30 VDC Maximum Power: 200 mW Typical Power: 120 mW
Construction	Process Electrodes: Gold cathode, silver anode, silver reference (3 electrode polarographic clark cell) Guard: Platinum Membrane: PFA Teflon [®] O-rings: Viton [®] (other materials available) Sensor Head Material: PEEK DataStick Material: 316 stainless steel, PEEK or CPVC Weight: 1.2 lbs (PEEK or CPVC) 2.6 lbs (316 stainless steel)
Units of Measure	Measurement Units: ppm Temperature Units: °C, °F
Calibration^{††}	Sample: 1 point Zero: 1 point Temperature: 1 point
Compensation Options	Temperature: Automatic from -5 °C to 50 °C
Other Configuration Options	Sensor Filter: 0 to 100 seconds Temperature Filter: 0 to 100 seconds
Approvals and Ratings	Immunity & Emissions: CE Certified 89/336/EEC: CISPER 11, EN61000 (-4-2,-4-3,-4-4,-4-6, 4-8) Safety: cULus Listed: 367G E303570 Hazardous Locations: Haz Loc Class 1, Division 2, Groups A, B, C, D. Max Ambient 50 °C

† Note: Typical at 25 °C Performance unaffected by cable length
 ‡ Note: Class II DC power supply required
 †† Note: Ozone and Temperature are precalibrated at the factory

Thermo Scientific AquaSensors Ozone DataStick

- Global support — with experience that comes from supporting our customers for over 35 years throughout the world, our water quality specialists and customer support teams offer a quick, thorough and professional response to any problem encountered.
- Focus on user benefits — we work closely with you to define your needs, and ensure you are using the monitor in a way that improves your bottom line. For more information, contact your local water quality specialists or visit www.thermo.com/processwater.

Ozone DataStick Information

Part No.	Description
DS-b-t	DataStick
Body Material (b)	1 = 316 Stainless Steel 2 = CPVC 3 = PEEK
Mounting (t)	1 = 1 inch NPT front/back 2 = Flow Chamber Snap-ring
CA-b-nw-x-y	Communications Adapter
Body Material (b)	1 = 316 Stainless Steel 2 = CPVC 3 = PEEK
Communications (nw)	1A = RS232 ASCII 7R = Ethernet 2B = Modbus® RTU 5R = DeviceNet 2A = Modbus RS232 6R = Profibus DP 4B = CANopen 8R = USB
Cable Length (x)	1 = 10 feet 2 = 20 feet 3 = 30 feet
Cable Termination (y)	A = Stripped Wires
OZ-b-t-x	Ozone Sensor Head
Body Material (b)	3 = PEEK
Electrode Type (t)	1 = Gold/Silver
Sensor Tip (x)	B = Process Flat C = Face Seal for Flow Chamber

Accessories Ordering Information

Part No.	Description
Local Display/Controller Interface	
AV38	1/4 DIN, Outputs, Relays, Digital Communications Options
Ozone Membrane Replacements	
DMR08-Z	PEEK Process Flat
DMR04-Z	PEEK Flat Face Seal
SBC01	Storage Cap With Sponge
Ozone Solutions - 60- mL bottle	
RD0K2	Ozone Electrolyte
Mounting Hardware	
MH3011	1 Inch Tee Mounting, 316 Stainless Steel
MH1041	1.5 Inch Tee Mounting, 316 Stainless Steel
MH1111	1.5 Inch Ball Valve, 316 SS, Low Pressure
MH1121	1.5 Inch Ball Valve, 316 SS, High Pressure
FC001	Flow Chamber with Mounting Plate and PVDF Fitting
FC002	Flow Chamber with Mounting Plate and 316 SS Fitting

Consult factory for other sensor mounting options.

©2008 Thermo Fisher Scientific Inc. All rights reserved. ® Teflon and Viton are registered trademarks of E. I. Du Pont De Nemours & Company. Modbus is a registered trademark of Schneider Automation, Inc. All other trademarks are the property of Thermo Fisher Scientific Inc. and its subsidiaries.

Environmental Instruments
Water Analysis Instruments

North America
166 Cummings Center
Beverly, MA 01915 USA
Toll Free: 1-800-225-1480
Tel: 1-978-232-6000
Dom. Fax: 1-978-232-6015
Int'l Fax: 978-232-6031

Europe
P.O. Box 254, 3860 AG Nijkerk
Wallerstraat 125K, 3862 BN
Nijkerk, Netherlands
Tel: (31) 033-2463887
Fax: (31) 033-2460832

Asia Pacific
Blk 55, Ayer Rajah Crescent
#04-16/24, Singapore 139949
Tel: 65-6778-6876
Fax: 65-6773-0836

www.thermo.com/water



S-ASDSOZNE-E 1108 RevA

Thermo
SCIENTIFIC